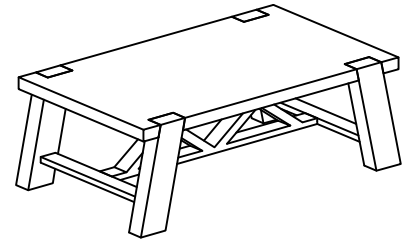
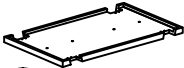
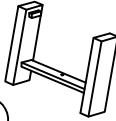
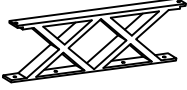







Warning :

- Be sure to check all packing material carefully for small parts, which may have come loose inside the carton during shipment.
- To prevent possible scratches and damage, this furniture **MUST BE ASSEMBLED BY TWO PEOPLE** on a soft surface such as a blanket or carpet.

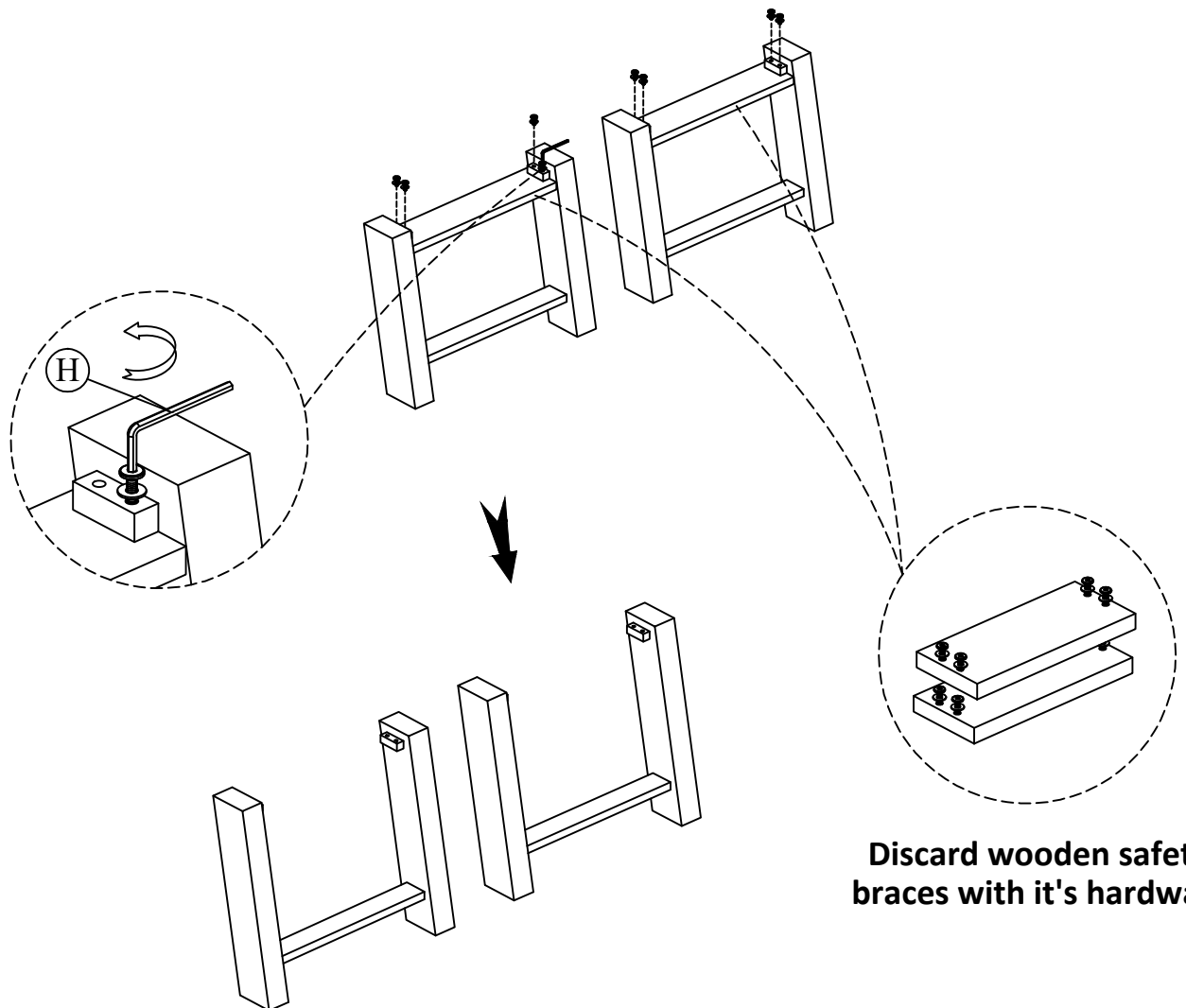


Components and Hardware List

<p>Top Assembly</p>  <p>(A) 1 pc.</p>	<p>Leg Assembly</p>  <p>(B) 2 pcs.</p>	<p>Center Frame</p>  <p>(C) 1 pc.</p>	<p>Allen Head Bolt M8-1x35mm</p>  <p>(D) 12 pcs.</p>	<p>Allen Head Bolt M8-1x25mm</p>  <p>(E) 2 pcs.</p>
<p>Lock Washer Ø9xØ13</p>  <p>(F) 14 pcs.</p>	<p>Flat Washer Ø8xØ20</p>  <p>(G) 14 pcs.</p>	<p>6mm Allen Key</p>  <p>(H) 1 pc.</p>		

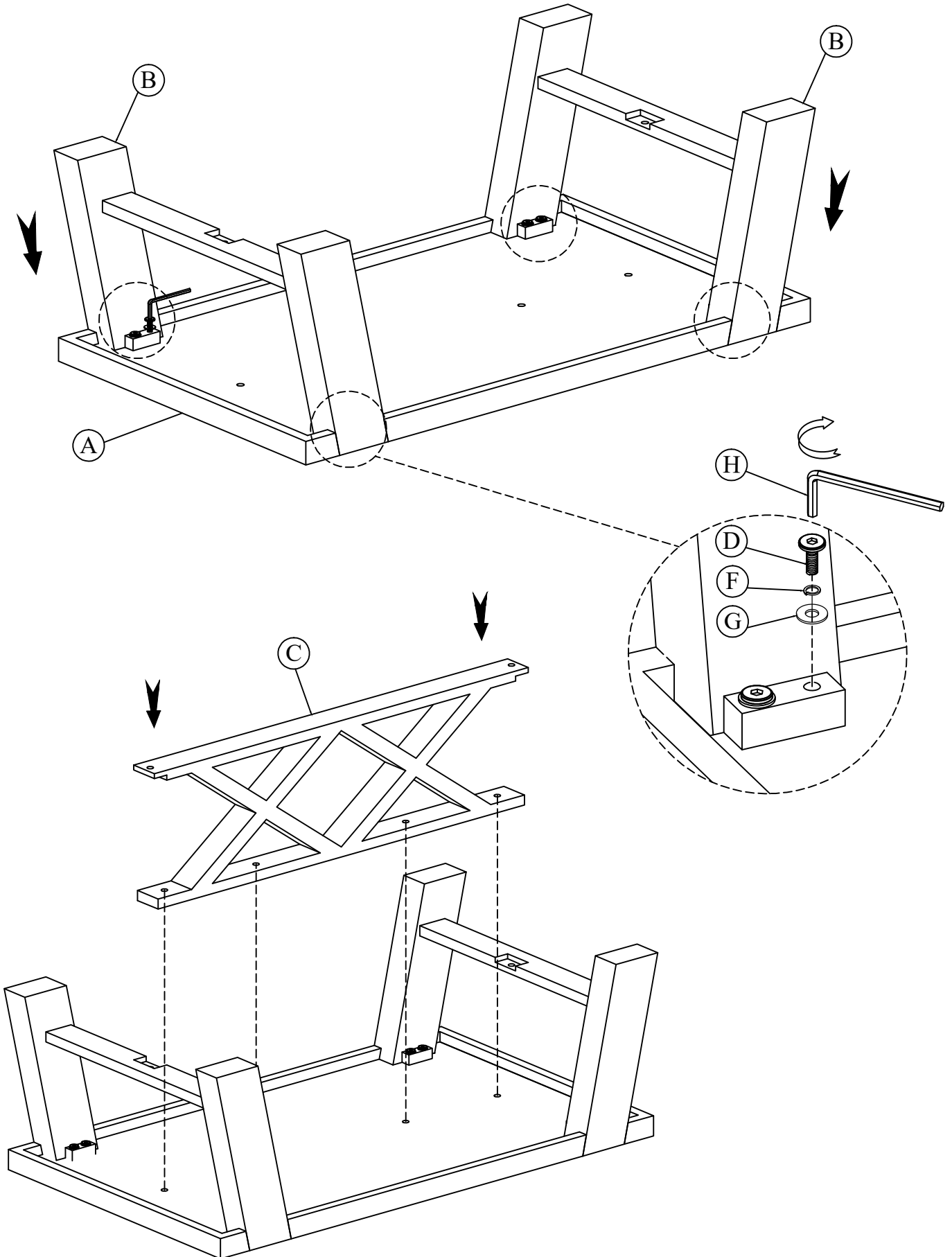
83202
Rectangle Cocktail Table

Step 1 : Remove shipping brace and discard



Discard wooden safety braces with it's hardware

Step 2 : Do not fully tighten the bolts



Step 3 : Using the Allen key to tighten all bolts

